

JS 6-250 B10

Qmax 320 m³/h - 5333 l/min (1409 USgpm) - Hmax 29 m (95 ft)

Code #N/A



Indicative picture of the product

Product Data

Suction port
Flanged - DN150 DI 1882 TL (solder)

Delivery port
Flanged - DN150 DI 1882 TL (solder)

Qmax
320 m³/h - 5333 l/min (1409 USgpm)

Hmax
29 m (95 ft)

Solids handling
76 mm (3")

Weight
203 kg (447 lb)

EX version



Pump with dedicated code, including thermowell predisposition for temperature sensor and glass oiler for mechanical seal quench fluid, according to **ATEX 2014/34/EU**.

Self-priming centrifugal bare shaft pump

Characteristics

The J series self-priming centrifugal pumps are used in applications where a rapid priming capacity is required from demanding suction heights combined with the ability to transfer and manage polluted fluids, dirty and abrasives with suspended large diameter solids. The system is based on an inspectable pump casing which also acts as a water tank allowing a first quick priming without auxiliary systems, simplifying management of the system and reducing the time for maintenance. Within the physically permitted suction height limits, J pumps are a more comfortable and reliable solution than submersible pumps and vertical submersed impeller pumps.

Benefits

- 1) Rapid self-priming**
Without foot valve up to a height of 7.5 m (24.5 ft)
- 2) High resistance**
To abrasive liquids which are turbid and sandy
- 3) Semi-open impeller**
High thickness casting impact resistant
- 4) Wear plate/plates**
Easily replaceable stainless steel wear plate/plates
- 5) Easy inspection and cleaning**
Removable front covers for access to the impeller

Applications

Industry:

clean, dirty, sandy, muddy, neutral, alkaline, acidic liquids; low viscous petroleum products, solvents even if dirty; milk of lime, caustic soda; washing, cooling, recirculation, smoke scrubbing.

Treatment:

pumping polluted corrosive wastewater containing sand, mud or solids in suspension; dosing neutralizing liquids; pumping out settled sludge.

Naval:

loading and unloading; bilge pumping; washing, fire-fighting, stripping, sanitary duty and circulation.

Agriculture:

surface irrigation; liquid manure oxygenation; transfer and spraying liquid manure or fertilizers; distribution of liquid animal feed; transfer of wine must; washing.

Varisco S.r.l. has certified its Quality, Environment and Safety Management System in accordance with the requirements of the international standard ISO 9001-14001-45001, recognized by the Lloyd Register.

Specification is subject to change without prior notice. Please check with your Varisco representative for the latest specifications.

Document release date: April 24th 2024

JS 6-250 B10



PERFORMANCE CURVES

Test according to **UNI EN ISO 9906 standard - level 2B**

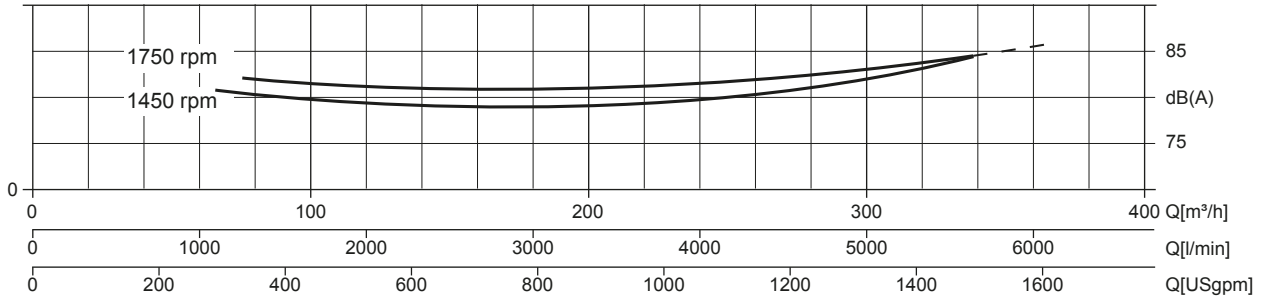
Max. applicable motor power: **30 kW - 40 HP (max 2.000 rpm)**

Test liquid: **clean water, density 1.000 kg/m³**

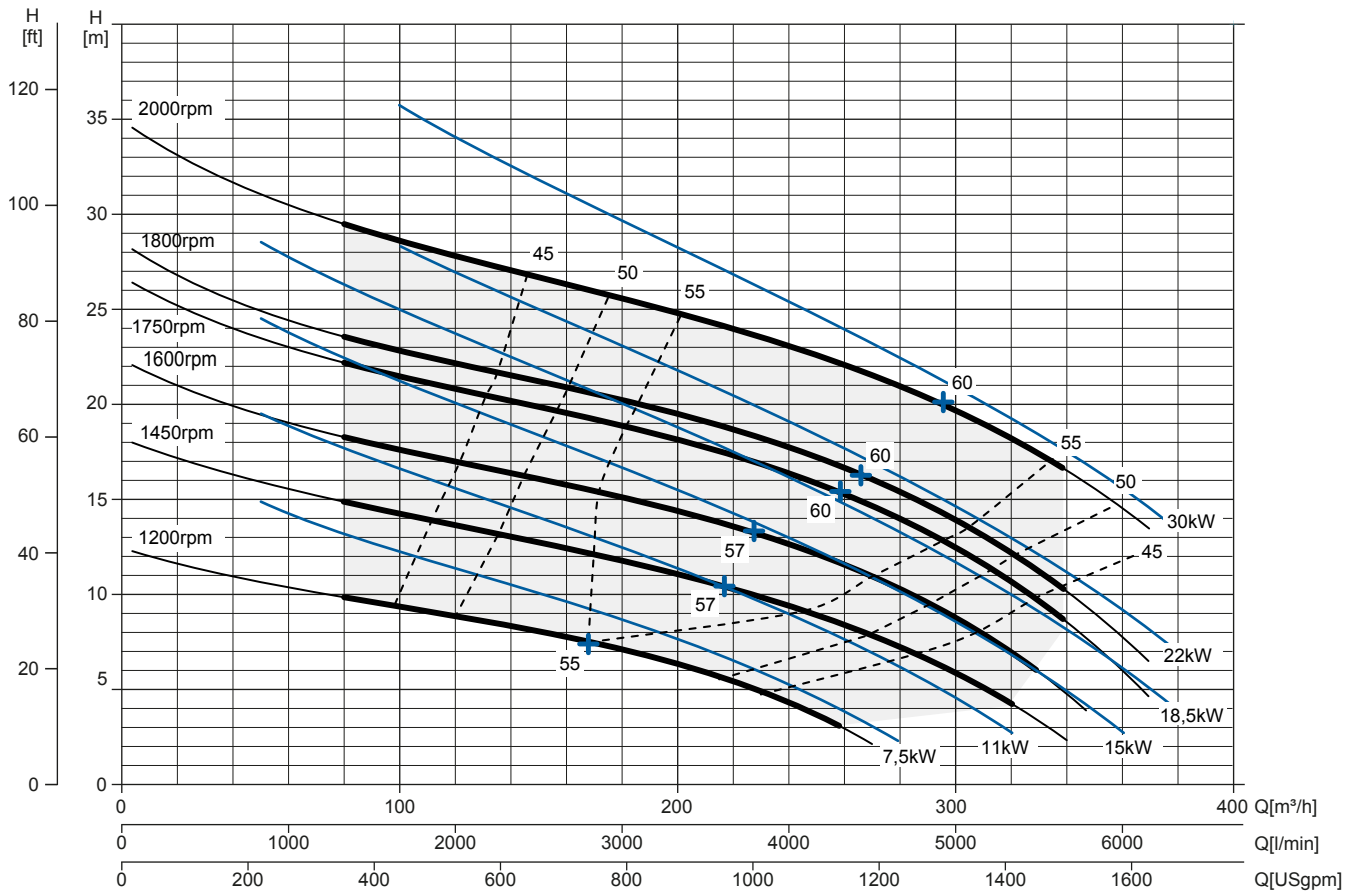
Spherical solids handling: **D.76 mm (3")**

Noise Curve

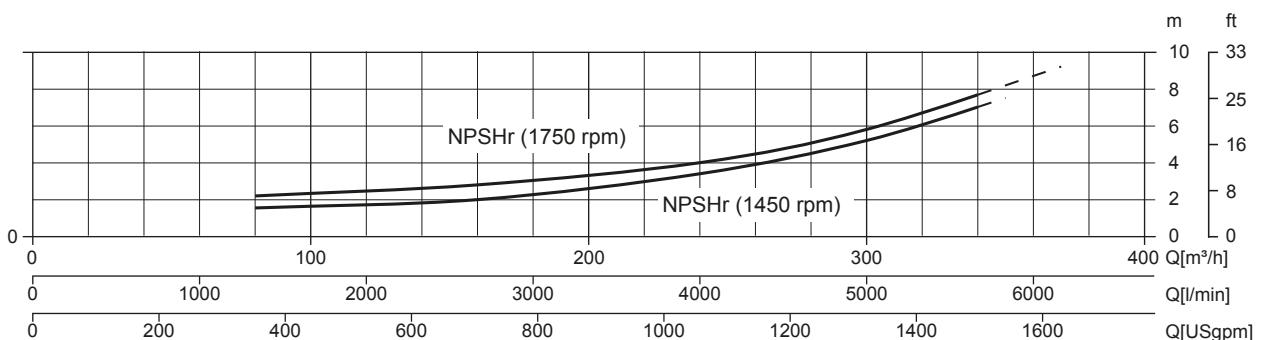
dB(A)=max noise level at 1 m



Multiple Speed Curve



NPSHr Curve



Specification is subject to change without prior notice. Please check with your Varisco representative for the latest specifications.

Document release date: April 24th 2024

JS 6-250 B10

TECHNICAL DATA

Pump

Pump model	JS 6-250 B10
Qmax [2.000 rpm]	320 m ³ /h - 5333 l/min (1409 USgpm)
Hmax [2.000 rpm]	29 m (95 ft)
Suction port	Flanged - DN150 DI 1882 TL (solder)
Delivery port	Flanged - DN150 DI 1882 TL (solder)
Impeller type	Semi-open, 2 vanes
Solids handling	76 mm (3")
Casing	ASTM A351 CF3M stainless steel+ zinc anodes
Impeller	ASTM A351 CF3M stainless steel
Wear plate	ASTM A351 CF3M stainless steel
Non-return valve	check-valve, FKM
Shaft	SAF 2205 EN 10088 stainless steel
Mechanical seal	Silicon carbide / Silicon carbide
Elastomers	FKM
Lubrication	Grease
Bearing bracket	EN 1561 EN-GJL-200 cast iron, with grease lubricated ball bearings for life

Arrangement

Model	Bare shaft
Dimensions (L x W x H)*	853 x 475 x 619 mm (33,6 x 18,7 x 24,4")
Coating	Polyurethane enamel, average thickness of 100 µm
Color	RAL 5010 blue (standard)
Height connection	0,45 m (1,5 ft)

*without flanged ports

Optionals

Flanged ports DN150 PN16 EN1092-1 Type B	Complete pump set code available on request
Flanged ports 6" ANSI B16.1 Class 125 R.F.	Complete pump set code available on request
Automatic mechanical seal greaser	Code: 10008316
Thermocouple temperature sensor for ATEX pump	TC - Range temperature from 0 up to 300°C
Temperature sensors for ATEX pump	PT100 - Range temperature from 0 up to 300°C

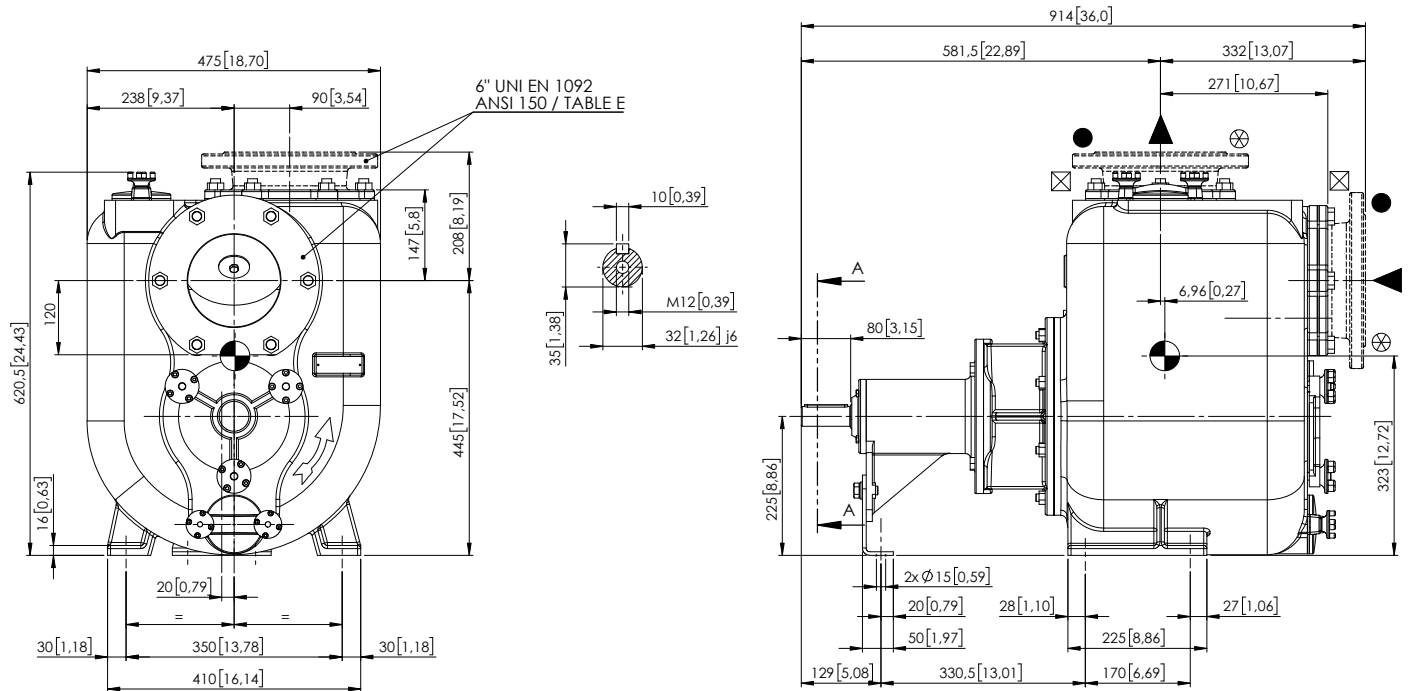
Weight

Net weight	203 kg (447 lb)
Gross weight (pump + packing)	223 kg (491 lb)

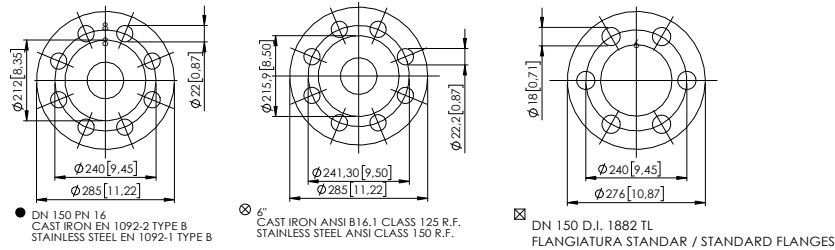
JS 6-250 B10

DIMENSIONS

mm [in]



FLANGIATURA SU RICHIESTA / FLANGES ON REQUEST



PACKAGING DIMENSIONS

Dimensions

JS 6-250 B10 (L x W x H)

1000 x 800 x 830 mm

Gross weight (pump + packing)

223 kg (491 lb)

